

Vane Axial Fans

with belt drive motors, and variable pitch, field adjustable impellers



For moving air, fumes, mists and smoke in applications where higher performance with less horsepower and less noise are major considerations.

Strobic belt drive vane axial fans are designed to meet a wide variety of operating conditions and performance requirements. They offer fast, simple installation and low operating costs with minimum noise levels – all without wasting valuable plant space.

Other outstanding advantages of Strobic Air vane axial fans with belt drive motors:

- **DUCT MOUNTING ELIMINATES WASTED SPACE**, and installation is fast and simple with no special skills or tools needed.
- **RUGGED, CONTINUOUSLY WELDED HEAVY GAUGE** carbon steel housings minimize friction losses to enhance performance.
- **FAST, SIMPLE BELT, PULLEY OR BEARING CHANGES** without removing fan from housing.
- **STREAMLINED BELT DRIVE FAIRINGS**, which reduce friction and entrance losses, are continuously welded to prevent caustics, corrosives and fumes from entering belt drive assembly.
- **NON-SPARKING ALUMINUM BLADES** can't ignite volatile atmospheres.
- **SPECIAL COATINGS AND MATERIALS** are also available. Fans may be coated with plastic, epoxy, rubber and fiberglass to meet unusual environmental applications.
- **MATERIALS OTHER THAN STEEL** (for housings) and aluminum (for blades) are available including stainless steel, copper, monel, etc.
- **MOTOR CONSTRUCTION AVAILABLE** includes drip-proof, totally enclosed air over, fan cooled, or explosion-proof design.
- **SIZES RANGE FROM 12" TO 96"**; other sizes are available to meet special needs.
- **CAPACITIES TO 300,000 CFM**, and pressures to 10" w.g.
- **BEARINGS ARE STANDARD ANTI-FRICTION**, precision ball-type pillow blocks – interchangeable with most normally stocked bearings. No special cartridge bearings are required. No replacement headaches to worry about.

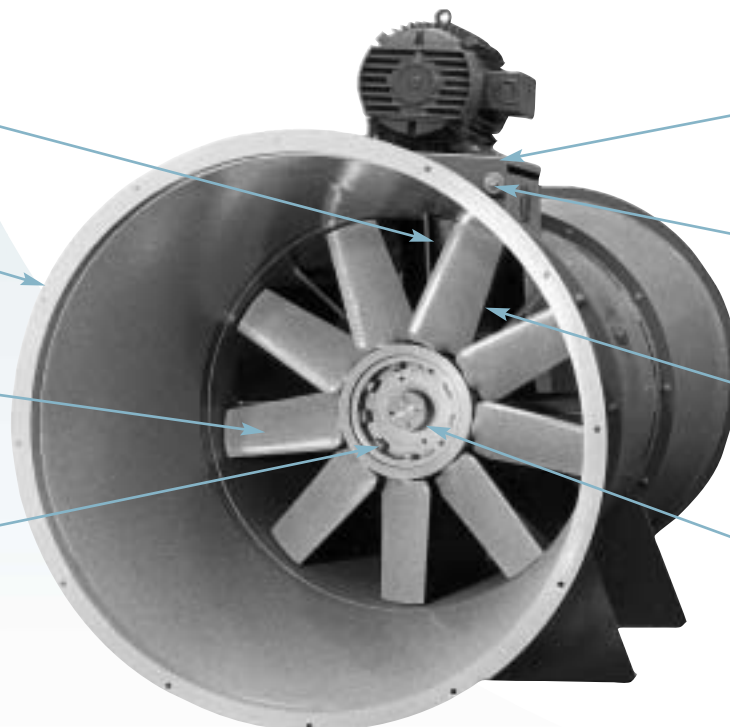
Special features of Strobic Air vane axial fans with belt drive motors:

Welded housing protects bearings and drive from fumes, corrosives, caustics

Flanged housings permit quick fastening to flexible duct and other accessories without special tools or skills

Cast aluminum axial flow impellers can't spark, use improved airfoil sections for maximum air handling efficiency

Variable pitch, field adjustable impellers maximize performance, minimize horsepower requirements, help reduce operating costs



Fast, simple bearing, belt or pulley changes can be accomplished by one person without special tools

Belt tension is maintained by simple adjustment of motor base height on threaded support

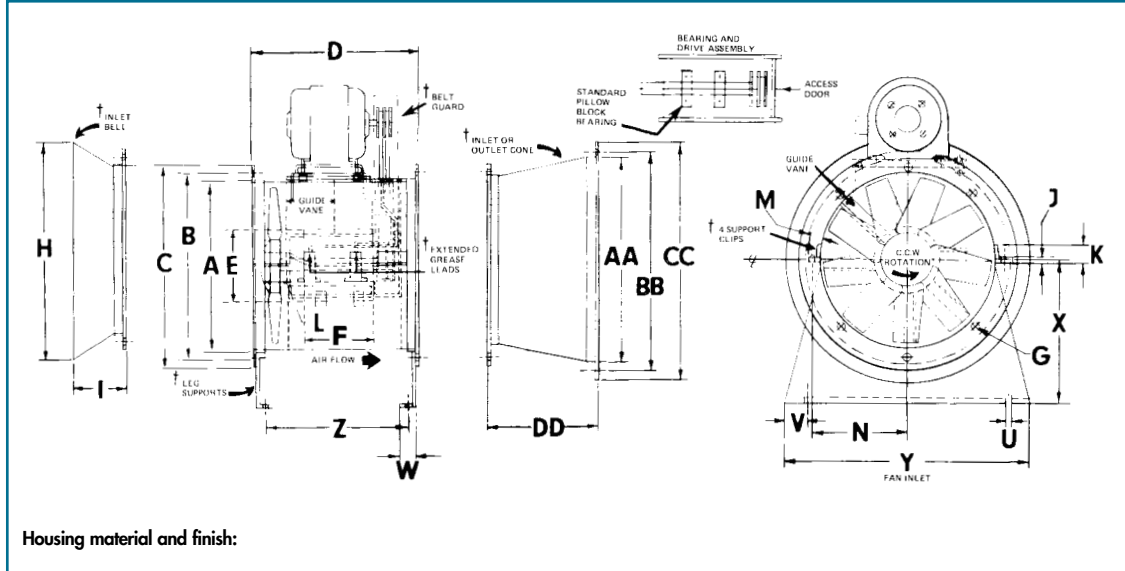
Streamlined belt drive fairing keeps friction and entrance losses to minimum

Spinner cap (not shown) improves laminar flow of inlet air

Vane Axial Belt Drive with variable pitch impellers

Submittal Data:
 Customer: _____
 Architect/Engineer: _____
 Project: _____

Drawing No.: _____ Date: _____
 Submitted by: _____
 Approved by: _____
 Date: _____



- † **Optional Features:**
1. Inlet Bell
 2. Inlet or Outlet Cone
 3. Inlet or Outlet Screen
 4. Extended Motor Leads
 5. Extended Grease Leads
 6. Access Door
 7. Companion Flanges
 8. Leg Supports
 9. Horizontal Support Clips
 10. Vertical Support Clips
 11. Disconnect Switch – Mounted
 12. In-line Sleeve Silencer
 13. In-line Pod Silencer
 14. Constant or Adjustable Drive
 15. Belt Guard
 16. Motor and Drive Cover
 17. Heat Slinger
 18. Fiberglass Lined Belt Chamber
 19. _____
 20. _____
 21. _____

Housing material and finish:

FAN SIZE	BASIC FAN DIMENSIONS							BELL		SUPPORT CLIPS					LEG SUPPORTS					CONES					
	A	B	C	D	E	F	G	H	I	J	K	L	M	N	U	V	W	X	Y	Z	AA	BB	CC	DD	
12	12	13.50	14.62	18	7.50	7.50	8	.312	16.75	5.12	.125	3	3.50	4.00	8.00	.437	2.50	3	11.50	16	14.75	16.00	17.25	18.50	10.00
15	15	16.50	17.62	18	7.75	9.00	8	.312	21.00	5.12	.125	3	3.50	4.00	9.50	.437	2.50	3	13.00	19	14.75	19.00	20.37	21.50	12.00
18	18	19.50	20.62	18	8.00	9.00	8	.312	25.50	5.12	.125	3	3.50	4.00	11.00	.437	2.50	3	14.50	22	14.75	22.00	23.37	24.50	14.00
19	19	20.81	22.12	21	8.25	9.00	8	.312	26.50	5.12	.125	3	3.50	4.00	11.50	.437	2.50	3	16.00	23	17.62	23.00	24.69	26.00	14.00
21	21	22.81	24.12	21	9.00	10.50	8	.437	29.50	5.62	.186	3	3.50	4.00	12.50	.437	2.50	3	17.75	25	17.62	25.75	27.44	28.75	16.50
24	24	25.87	27.18	24	9.25	10.50	8	.437	33.50	5.62	.186	3	3.50	4.00	14.00	.437	2.50	3	18.25	28	20.62	28.75	30.44	31.75	18.50
27	27	28.87	30.18	24	10.00	12.00	8	.437	37.25	6.62	.186	3	3.50	4.00	15.50	.437	2.50	3	20.75	31	20.62	33.75	35.44	36.75	22.50
30	30	31.87	33.18	24	10.00	12.00	12	.437	41.75	6.62	.186	3	3.50	5.00	17.50	.437	2.50	4	23.00	34	19.62	38.00	39.69	41.00	24.75
36	36	38.18	39.69	30	11.75	13.50	12	.437	49.00	9.18	.186	3	3.50	5.00	20.50	.437	2.50	4	26.25	41	25.62	44.00	46.00	47.50	27.00
38	38	40.18	41.69	32	12.25	13.50	12	.437	51.50	9.68	.186	3	3.50	5.00	21.50	.437	4.50	4	28.25	48	27.62	48.00	50.00	51.50	31.00
42	42	44.25	45.75	36	13.00	13.50	12	.562	59.75	10.43	.186	3	3.50	5.00	23.50	.437	4.50	4	29.25	48	31.62	50.75	52.75	54.25	31.00
48	48	50.25	51.75	36	13.87	18.00	16	.562	64.50	11.68	.186	4	4.25	5.00	24.50	.437	4.50	4	34.25	48	31.62	60.00	62.00	63.50	37.00
54	54	56.37	57.87	38	15.00	18.00	16	.562	72.00	12.18	.186	4	4.25	5.50	29.75	.750	4.50	4	37.25	60	33.62	66.00	68.00	69.50	37.00
60	60	62.37	63.87	38	16.25	18.00	16	.562	80.00	13.18	.186	4	4.25	5.50	32.75	.750	4.50	4	40.50	60	33.62	72.00	74.00	75.50	37.00
66	66	68.75	70.50	42	17.00	21.00	16	.562	88.00	13.69	.186	4	4.25	5.50	34.25	.750	4.50	4	44.50	66	37.50	80.00	82.25	84.00	43.00
72	72	74.75	76.50	42	17.75	21.00	16	.562	94.00	13.69	.186	4	4.25	5.50	38.75	.750	4.50	4	48.50	72	37.50	88.00	90.25	92.00	49.00
78	78	80.75	82.50	48	18.25	21.00	16	.562	100.00	13.69	.186	4	4.25	5.50	41.75	.750	4.50	4	53.00	78	43.50	96.00	98.25	100.00	55.00
84	84	86.75	88.50	48	19.00	21.00	16	.562	106.00	13.69	.186	4	4.25	5.50	44.75	.750	4.50	4	57.00	84	43.50	104.00	106.25	108.00	61.00
90	90	92.75	94.50	48	19.75	24.00	16	.562	112.00	13.69	.186	4	4.25	5.50	47.75	.750	4.50	4	60.75	90	43.50	112.00	114.25	116.00	67.00
96	96	98.75	100.50	48	20.25	24.00	16	.562	120.00	13.69	.186	4	4.25	5.50	50.75	.750	4.50	4	64.75	96	43.50	120.00	122.25	124.00	73.00

Note: Dimensions not to be used for construction unless certified.

Performance Data

ITEM #	QTY.	MODEL #	VOLUME CFM	SP/TP	FAN RPM	B.H.P.	H.P.	MOTOR RPM	MOTOR CHAR.	TYPE	OPTIONAL FEATURES	SHIP Wt.



FANS, SILENCERS AND SYSTEMS

160 Cassell Road, P.O. Box 144, Harleysville, PA 19438
 1-800-SAC-FANS, (215) 723-4700, FAX: (215) 723-7401
 E-mail: tristack@strobicair.com, Web site: www.strobicair.com



Represented by: