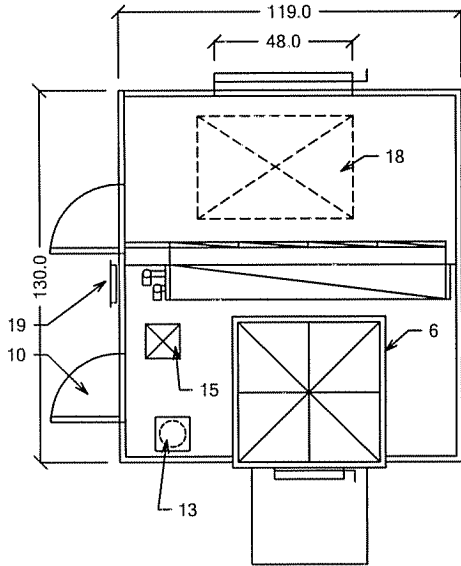
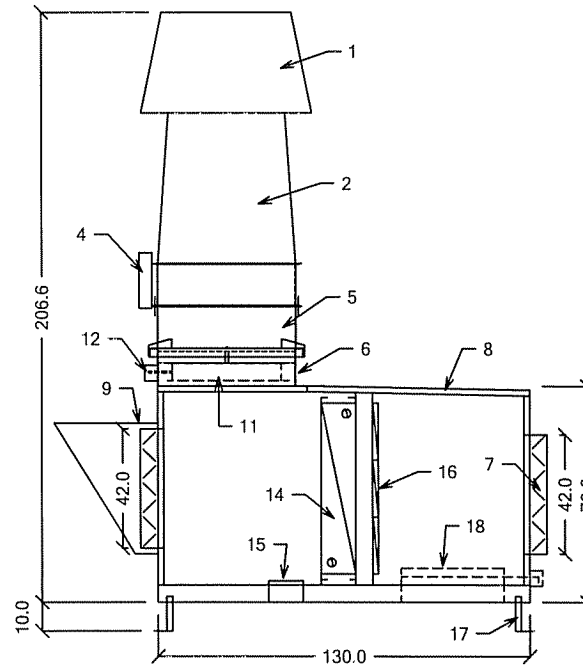


REVISION			
LTR.	DESCRIPTION	DRAWN	CHECKED

- NOTES:**
- 1. COIL CFM: 20,000
  - 2. ESTIMATED PLENUM WEIGHT: 11,000 LBS.
  - 3. ROOF CURB SIZE (O.D.): 124"L X 113"W X 12"H
  - 4. ESTIMATED INTERNAL SP: 2.25" WC
  - 5. FLOOR OPENING SIZE: 54"L X 36"W



PLAN VIEW



ELEVATION

- DRAWING LEGEND:**
- 1. ENTRAINMENT WINDBAND
  - 2. TRI-STACK™ NOZZLE
  - 3. MOTOR (NOT SHOWN)
  - 4. DISCONNECT SWITCH
  - 5. FAN HOUSING
  - 6. FAN CURB W/ OPTIONAL VORTEX BREAKER
  - 7. PLENUM ISOLATION DAMPER
  - 8. DOUBLE-WALLED MIXING PLENUM
  - 9. BYPASS DAMPER WITH RAINHOOD
  - 10. ACCESS DOOR (TYPICAL)
  - 11. FAN ISOLATION DAMPER
  - 12. FAN ISOLATION DAMPER ACTUATOR
  - 13. JIB CRANE SOCKET (OPTIONAL)
  - 14. HEAT RECOVERY COIL
  - 15. PIPE CHASE
  - 16. 30% PREFILTERS
  - 17. ROOF CURB (OPTIONAL)
  - 18. FLOOR OPENING (OPTIONAL)
  - 19. REMOVABLE OPENING

NOTE: BECAUSE WE ARE CONSTANTLY STRIVING TO IMPROVE OUR PRODUCTS, WE RESERVE THE RIGHT TO PROVIDE VERSIONS OF THESE PRODUCTS WITH SLIGHT VARIATIONS FROM THOSE ILLUSTRATED HERE.

©THIS DRAWING AND DESIGN IS THE EXCLUSIVE PROPERTY OF STROBIC AIR® CORP, AND IS COPYRIGHT. IT MUST NOT BE COPIED, OR USED FOR PRODUCTION, OR COMMUNICATED TO A THIRD PARTY, WITHOUT THE EXPRESSED WRITTEN PERMISSION OF THIS COMPANY.

UNLESS OTHERWISE SPECIFIED DIMENSIONS ARE IN INCHES TOLERANCES ARE XXX" = .001" ± 1"	CONTRACT NO.		HEAT RECOVERY PLENUM MODEL # TS-3 20 HRU 1X1 1S 1-60X96		
	APPROVALS	DATE	STROBIC AIR® CORPORATION A SUBSIDIARY OF MET-PRO CORPORATION 160 CASSELL ROAD, BOX 144 HARLEYSVILLE, PA 19438		
	DRAWN E.W.H.	01/20/04			
	CHECKED				
MATERIAL	APR'VD		SIZE	CODE IDENT. NO.	DRAWING NO.
FINISH	U.S. PATENT NO. 6,431,974 U.S. PATENT NO. 6,112,850 U.S. PATENT NO. 4,806,706 CANADIAN PATENT NO. 1,277,171		B		TS-3 20 HRU 1X1 1S 1-60X96 R0
			SCALE: N.T.S.		SHEET 1 OF 1