

**NOTES:**

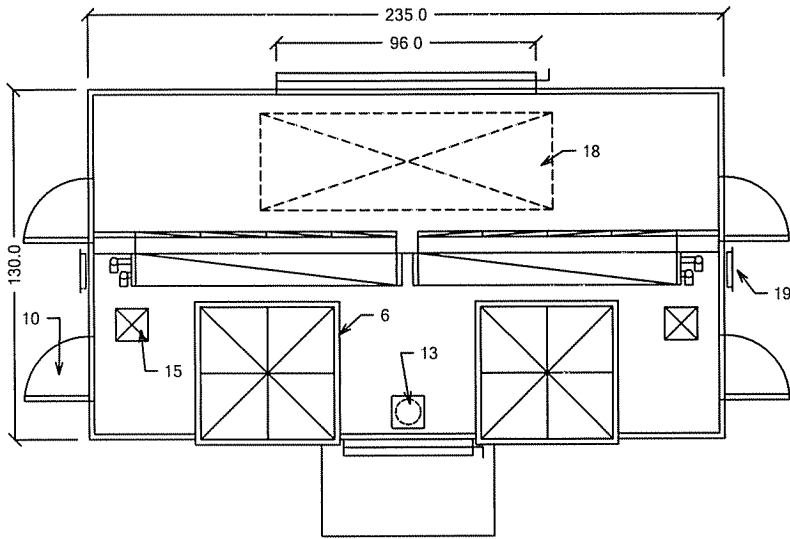
- 1 COIL CFM: 40,000
- 2 ESTIMATED PLENUM WEIGHT: 15,000 LBS.
- 3 ROOF CURB SIZE (O.D.): 229"L X 124"W X 12"H
- 4 ESTIMATED INTERNAL SP: 2 25" WC
- 5 FLOOR OPENING SIZE: 108"L X 36"W

REVISION

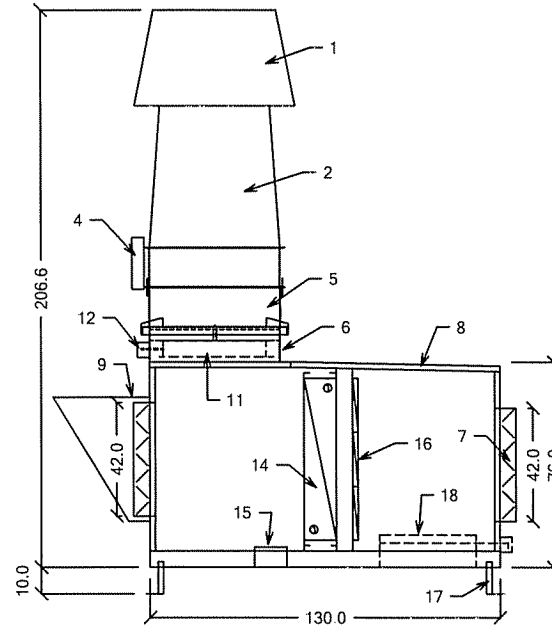
LTR	DESCRIPTION	DRAWN	CHECKED

**DRAWING LEGEND:**

- 1. ENTRAINMENT WINDBAND
- 2. TRI-STACK™ NOZZLE
- 3. MOTOR (NOT SHOWN)
- 4. DISCONNECT SWITCH
- 5. FAN HOUSING
- 6. FAN CURB W/ OPTIONAL VORTEX BREAKER
- 7. PLENUM ISOLATION DAMPER
- 8. DOUBLE-WALLED MIXING PLENUM
- 9. BYPASS DAMPER WITH RAINHOOD
- 10. ACCESS DOOR (TYPICAL)
- 11. FAN ISOLATION DAMPER
- 12. FAN ISOLATION DAMPER ACTUATOR
- 13. JIB CRANE SOCKET (OPTIONAL)
- 14. HEAT RECOVERY COIL
- 15. PIPE CHASE
- 16. 30% PREFILTERS
- 17. ROOF CURB (OPTIONAL)
- 18. FLOOR OPENING (OPTIONAL)
- 19. REMOVABLE PANEL



PLAN VIEW



ELEVATION

NOTE: BECAUSE WE ARE CONSTANTLY STRIVING TO IMPROVE OUR PRODUCTS, WE RESERVE THE RIGHT TO PROVIDE VERSIONS OF THESE PRODUCTS WITH SLIGHT VARIATIONS FROM THOSE ILLUSTRATED HERE.

© THIS DRAWING AND DESIGN IS THE EXCLUSIVE PROPERTY OF STROBIC AIR® CORP. AND IS COPYRIGHT © IT MUST NOT BE COPIED, OR USED FOR PRODUCTION, OR COMMUNICATED TO A THIRD PARTY, WITHOUT THE EXPRESSED WRITTEN PERMISSION OF THIS COMPANY.

UNLESS OTHERWISE SPECIFIED DIMENSIONS ARE IN INCHES TOLERANCES ARE: XXX" = ±.00" ±1" XXXX" = ±.00"	CONTRACT NO.		HEAT RECOVERY PLENUM MODEL # TS-3 40 HRU 1X2 1S 2-60X96		
	APPROVALS	DATE	STROBIC AIR® CORPORATION A SUBSIDIARY OF MET-PRO CORPORATION 160 CASSELL ROAD, BOX 144 HARLEYSVILLE, PA 19438		
	DRAWN E.W.H.	01/16/04			
	CHECKED				
MATERIAL	APRVD		SIZE	CODE IDENT. NO.	DRAWING NO.
FINISH	U.S. PATENT NO. 6,431,974 U.S. PATENT NO. 6,112,850 U.S. PATENT NO. 4,806,706 CANADIAN PATENT NO. 1,277,171		B		TS-3 40 HRU 1X2 1S 2-60X96 R0
			SCALE: N.T.S.	SHEET 1 OF 1	