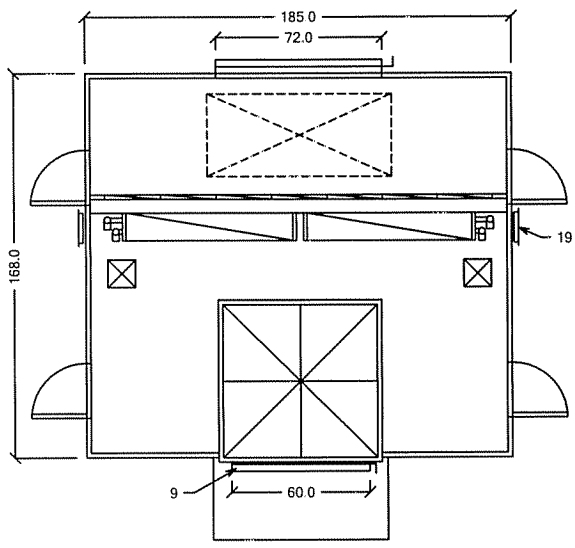


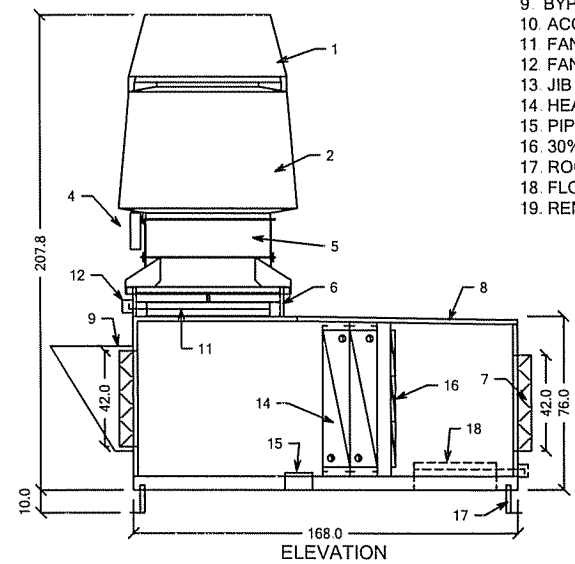
REVISION			
LTR.	DESCRIPTION	DRAWN	CHECKED

- NOTES:**
- 1. COIL CFM: 30,000
 - 2. ESTIMATED PLENUM WEIGHT: 14,000 LBS.
 - 3. ROOF CURB SIZE (O.D.): 179"L X 162"W X 12"H
 - 4. ESTIMATED INTERNAL SP: 2.25" WC
 - 5. FLOOR OPENING SIZE: 80"L X 36"W

- DRAWING LEGEND:**
- 1. ENTRAINMENT WINDBAND
 - 2. TRI-STACK™ SILENCER NOZZLE (OPTIONAL)
 - 3. MOTOR (NOT SHOWN)
 - 4. DISCONNECT SWITCH
 - 5. FAN HOUSING
 - 6. FAN CURB W/ OPTIONAL VORTEX BREAKER
 - 7. PLENUM ISOLATION DAMPER
 - 8. DOUBLE-WALLED MIXING PLENUM
 - 9. BYPASS DAMPER WITH RAINHOOD
 - 10. ACCESS DOOR (TYPICAL)
 - 11. FAN ISOLATION DAMPER
 - 12. FAN ISOLATION DAMPER ACTUATOR
 - 13. JIB CRANE SOCKET (OPTIONAL)
 - 14. HEAT RECOVERY COIL
 - 15. PIPE CHASE
 - 16. 30% PREFILTERS
 - 17. ROOF CURB (OPTIONAL)
 - 18. FLOOR OPENING (OPTIONAL)
 - 19. REMOVABLE PANEL



PLAN VIEW



ELEVATION

NOTE: BECAUSE WE ARE CONSTANTLY STRIVING TO IMPROVE OUR PRODUCTS, WE RESERVE THE RIGHT TO PROVIDE VERSIONS OF THESE PRODUCTS WITH SLIGHT VARIATIONS FROM THOSE ILLUSTRATED HERE.

© THIS DRAWING AND DESIGN IS THE EXCLUSIVE PROPERTY OF STROBIC AIR® CORP. AND IS COPYRIGHT. IT MUST NOT BE COPIED, OR USED FOR PRODUCTION, OR COMMUNICATED TO A THIRD PARTY, WITHOUT THE EXPRESSED WRITTEN PERMISSION OF THIS COMPANY.

UNLESS OTHERWISE SPECIFIED DIMENSIONS ARE IN INCHES TOLERANCES ARE .XX ±.00" ±1" .XXX±"	CONTRACT NO.		HEAT RECOVERY PLENUM MODEL # TS-4 30 HRU 1X1 1S 2-60X72		
	APPROVALS	DATE	STROBIC AIR® CORPORATION A SUBSIDIARY OF MET-PRO CORPORATION 160 CASSELL ROAD, BOX 144 HARLEYSVILLE, PA 19438		
	DRAWN E.W.H.	01/16/04			
	CHECKED				
MATERIAL	APRVD		SIZE	CODE IDENT. NO	DRAWING NO.
FINISH	U.S. PATENT NO. 6,431,974 U.S. PATENT NO. 6,112,850 U.S. PATENT NO. 4,806,706 CANADIAN PATENT NO. 1,277,171		B		TS-4 30 HRU 1X1 1S 2-60X72 R0
			SCALE: N.T.S.	SHEET 1 OF 1	