

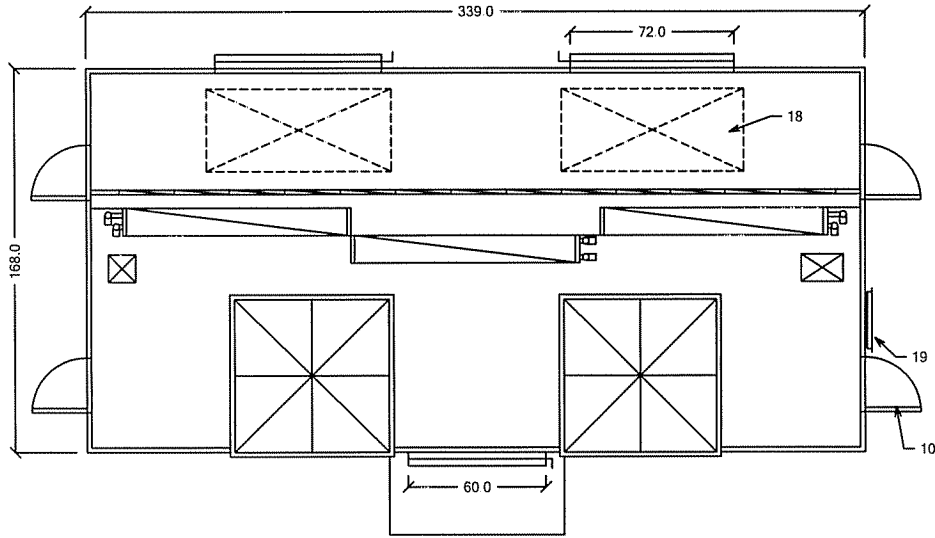
**NOTES:**

- 1 COIL CFM: 60,000
- 2 ESTIMATED PLENUM WEIGHT: 23,000 LBS.
- 3 ROOF CURB SIZE (O.D.): 333"L X 162"W X 12"H
- 4 ESTIMATED INTERNAL SP: 2.25" WC
- 5 FLOOR OPENING SIZE: 80"L X 36"W

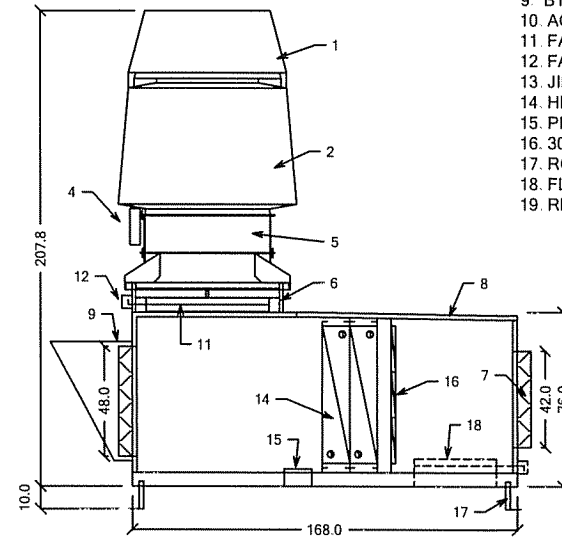
REVISION			
LTR	DESCRIPTION	DRAWN	CHECKED

**DRAWING LEGEND:**

- 1 ENTRAINMENT WINDBAND
- 2 TRI-STACK™ SILENCER NOZZLE (OPTIONAL)
- 3 MOTOR (NOT SHOWN)
- 4 DISCONNECT SWITCH
- 5 FAN HOUSING
- 6 FAN CURB W/ OPTIONAL VORTEX BREAKER
- 7 PLENUM ISOLATION DAMPER
- 8 DOUBLE-WALLED MIXING PLENUM
- 9 BYPASS DAMPER WITH RAINHOOD
- 10 ACCESS DOOR (TYPICAL)
- 11 FAN ISOLATION DAMPER
- 12 FAN ISOLATION DAMPER ACTUATOR
- 13 JIB CRANE SOCKET (OPTIONAL)
- 14 HEAT RECOVERY COIL
- 15 PIPE CHASE
- 16 30% PREFILTERS
- 17 ROOF CURB (OPTIONAL)
- 18 FLOOR OPENING (OPTIONAL)
- 19 REMOVABLE PANEL



PLAN VIEW



ELEVATION

NOTE: BECAUSE WE ARE CONSTANTLY STRIVING TO IMPROVE OUR PRODUCTS, WE RESERVE THE RIGHT TO PROVIDE VERSIONS OF THESE PRODUCTS WITH SLIGHT VARIATIONS FROM THOSE ILLUSTRATED HERE.

© THIS DRAWING AND DESIGN IS THE EXCLUSIVE PROPERTY OF STROBIC AIR® CORP. AND IS COPYRIGHT. IT MUST NOT BE COPIED, OR USED FOR PRODUCTION, OR COMMUNICATED TO A THIRD PARTY, WITHOUT THE EXPRESSED WRITTEN PERMISSION OF THIS COMPANY.

UNLESS OTHERWISE SPECIFIED DIMENSIONS ARE IN INCHES TOLERANCES ARE: .00X ±.00" ±.1" .XXX" ±.00" ±.1"	CONTRACT NO.		HEAT RECOVERY PLENUM MODEL # TS-4 60 HRU 1X2 1S 3-60X96		
	APPROVALS	DATE	STROBIC AIR® CORPORATION A SUBSIDIARY OF MET-PRO CORPORATION 160 CASSELL ROAD, BOX 144 HARLEYSVILLE, PA 19438		
	DRAWN E.W.H.	01/16/04			
	CHECKED				
MATERIAL	APR'VD				
FINISH	U.S. PATENT NO. 6,431,974 U.S. PATENT NO. 6,112,850 U.S. PATENT NO. 4,806,706 CANADIAN PATENT NO. 1,277,171	SIZE <b>B</b>	CODE IDENT. NO.	DRAWING NO. TS-4 60 HRU 1X2 12 3-60X96 R0	
		SCALE: N.T.S.	SHEET 1 OF 1		