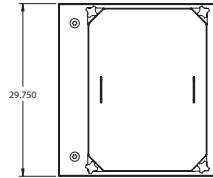
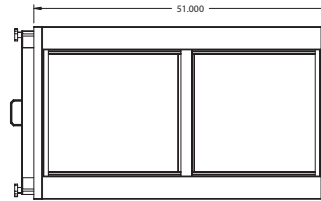
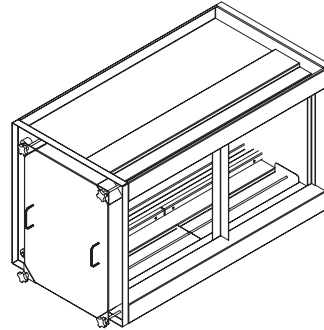


TOP VIEW



FRONT VIEW



SIDE VIEW

REVISION			
LTR.	DESCRIPTION	DATE	APP

APPROXIMATE WEIGHT
WITHOUT FILTERS
290 LBS.

NOTE: BECAUSE WE ARE CONSTANTLY STRIVING TO IMPROVE OUR PRODUCTS,
WE RESERVE THE RIGHT TO PROVIDE VERSIONS OF THESE PRODUCTS WITH
SLIGHT VARIATIONS FROM THOSE ILLUSTRATED HERE.

©THIS DRAWING AND DESIGN IS THE
EXCLUSIVE PROPERTY OF STROBIC AIR®
CORP. AND IS COPYRIGHT. IT MUST
NOT BE COPIED, OR USED FOR
PRODUCTION, OR COMMUNICATED TO A
THIRD PARTY, WITHOUT THE EXPRESSED
WRITTEN PERMISSION OF THIS COMPANY.

UNLESS OTHERWISE SPECIFIED DIMENSIONS ARE IN INCHES TOLERANCES ARE - .001 -	CONTRACT NO.		1X2 HEPA FILTER: MAX 4,000 CFM		
	APPROVALS DATE		STROBIC AIR® CORPORATION A SUBSIDIARY OF MET-PRO CORP. HARLEYSVILLE, PA		
	DRAWN	E.C.A.			2/14/05
	CHECKED				
MATERIAL	LAYOUT		SIZE	CODE IDENT. NO.	
FINISH	U.S. PATENT NO. 6,431,974 U.S. PATENT NO. 6,112,850 U.S. PATENT NO. 4,806,706 CANADIAN PATENT NO. 1,277,171		B	TS1_2_BI_SMN	
			DRAWING NO.	021405E-2	
			SCALE: N.T.S.	SHEET ___ OF ___	